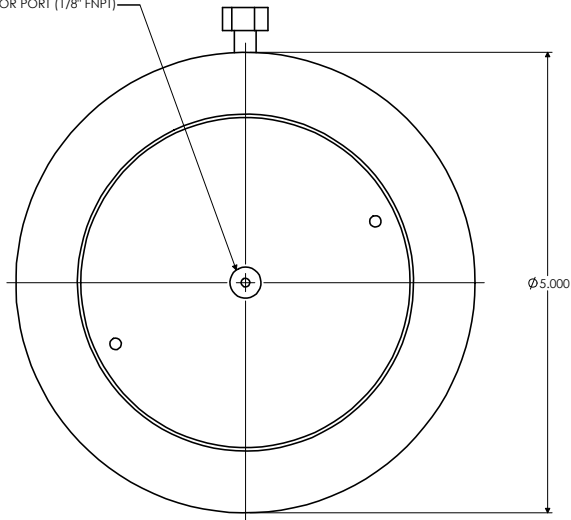
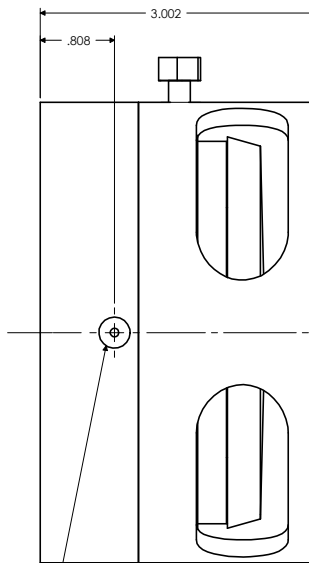


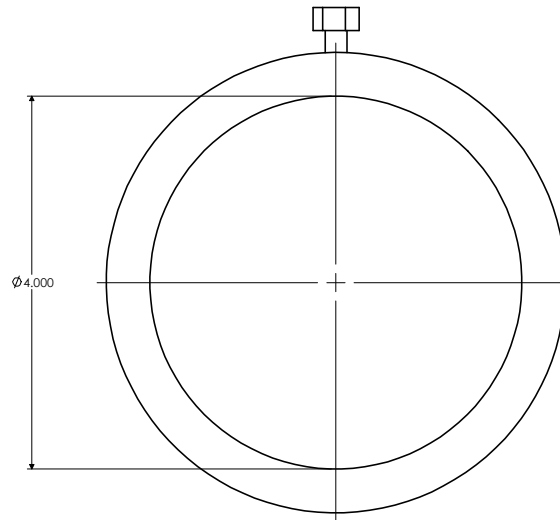
ACTUATOR PORT (1/8" FNPT)



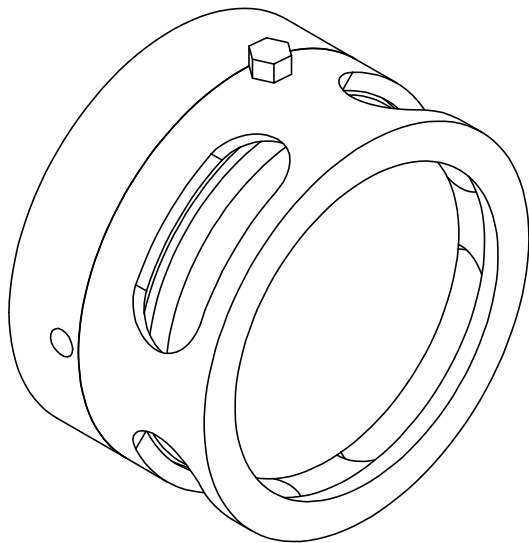
LEFT END VIEW



SIDE VIEW



RIGHT END VIEW



ISOMETRIC VIEW

PART	MATERIAL
BODY	POLYPROPYLENE
END CAP	POLYPROPYLENE
PISTON	POLYPROPYLENE
MOUNTING RING	POLYPROPYLENE
DOOR	POLYPROPYLENE
RETAINER BOLT	POLYPROPYLENE
O-RINGS	VITON
SPRING	STAINLESS STEEL

TOLERANCES UNLESS OTHERWISE SPECIFIED

DYTEC

102 COMPASS PT. DR. STE. D.
ST. CHARLES, MO. 63301-4414
(636) 949-5600

QDV-401-POL-V QUICK DUMP VALVE PHYSICAL DIMENSIONS
(HARD SEAL)

APPROVAL		OWN BY		DATE	SCALE	CHD BY
ENG	DATE	MPJ	SHEET			
GA	DATE	1 OF 1	44	0002219	30	00

ALL DIMENSIONS ARE IN INCHES

PATH = E:\C\C\DYTEC\QDV401P.DRW