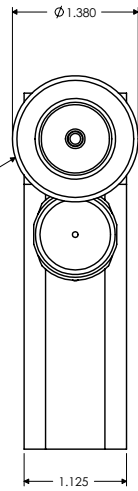
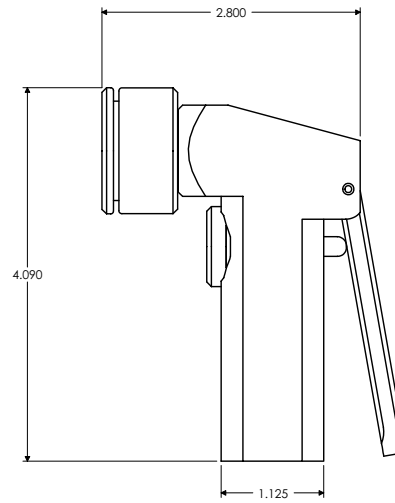


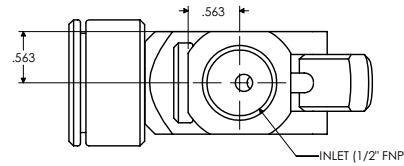
FILTER HOUSING WITH REPLACABLE CO-POLYMER FILTER  
(PART NUMBER FY01-N201)



FRONT VIEW



SIDE VIEW



BOTTOM VIEW

PART	MATERIAL
BODY	VIRGIN PTFE
ACTUATOR	POLYPROPYLENE
ACTUATOR CAP	POLYPROPYLENE
FILTER HOUSING	POLYPROPYLENE
HANDLE	POLYPROPYLENE
HANDLE DOWEL PIN	18-8 STAINLESS STEEL
SPRING	302 SS, TEFLON COATED
O-RINGS	VITON

SPECIFICATIONS	
FLOW RATE - SCFM @ 60PSI	2.0
MAX PRESSURE - PSIG (kPa)	90 (621)
MAX TEMPERATURE - MEDIA °F (°C)	160 (71)

O-RINGS	QTY
AS568A-009	1
AS568A-012	1
AS568A-114	1

TOLERANCES UNLESS OTHERWISE SPECIFIED

**DYTEC**

102 COMPASS PT. DR. STE. D.  
ST. CHARLES, MO. 63301-4414  
(636) 949-5600

THG-NR8P-TFE-V TEFLON N<sub>2</sub> SPRAY GUN - RIGHT ANGLE  
PHYSICAL DIMENSIONS

APPROVAL		DWN BY	MPJ	DATE	CS/31/03	SCALE	1=1	CHKD BY
ENG	DATE	BY						
GA	DATE	1 OF 1	44	0002440	30	00		

PATH HE:\CC\DYTEC\THG-NR8P-TFE-V\PHYSICAL.DWG