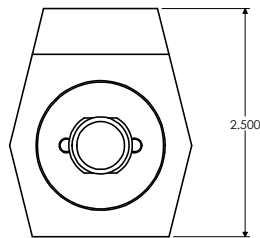
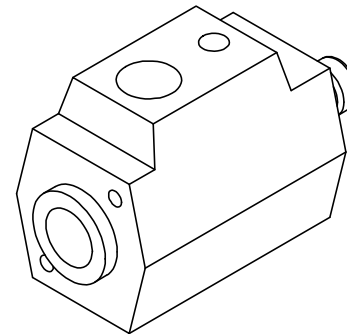
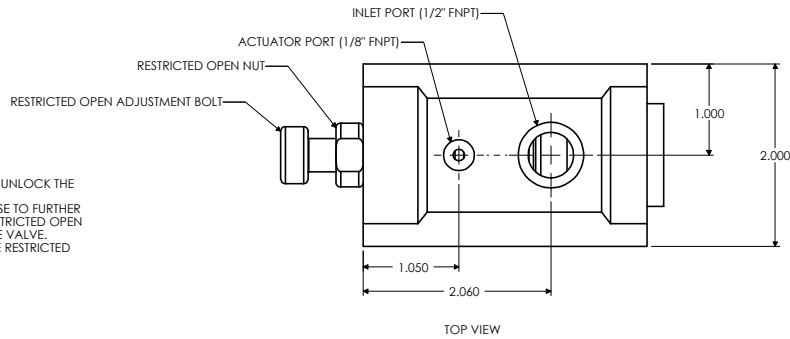
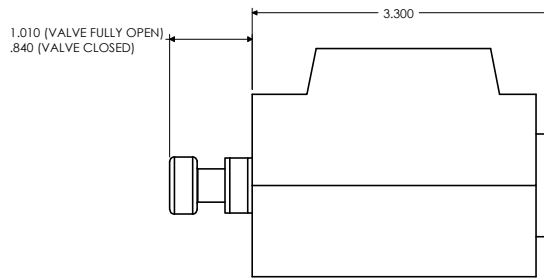


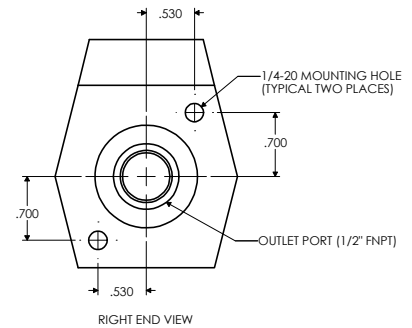
SETTING OF RESTRICTED OPEN VALVE  
 1. TURN RESTRICTED OPEN NUT COUNTERCLOCKWISE TO UNLOCK THE RESTRICTED OPEN ADJUSTMENT BOLT.  
 2. TURN RESTRICTED OPEN ADJUSTMENT BOLT CLOCK WISE TO FURTHER RESTRICT THE OPEN POSITION OF THE VALVE. TURN RESTRICTED OPEN ADJUSTMENT BOLT COUNTERCLOCKWISE TO OPEN THE VALVE.  
 3. TURN RESTRICTED OPEN NUT CLOCKWISE TO LOCK THE RESTRICTED OPEN POSITION.



LEFT END VIEW



SIDE VIEW



PART	MATERIAL
BODY	PTFE
BELLOWS	PTFE
BACKING PLATE	PTFE
PISTON	PVDF
END CAP	POLYPROPYLENE
RESTRICTED OPEN NUT	POLYPROPYLENE
RESTRICTED OPEN ADJUSTMENT BOLT	POLYPROPYLENE
O-RINGS	EPDM
SPRING	TEFLON COATED 302 STAINLESS STEEL

SPECIFICATIONS	
Cv	2.8
MAX PRESSURE - INLET PORT PSIG (kPA)	75 (517)
MAX PRESSURE - OUTLET PORT PSIG (kPA)	40 (276)
ACTUATOR PRESSURE - MIN/MAX PSIG (kPA)	40/80 (276/552)
MAX TEMPERATURE - MEDIA ° F (° C)	350 (177)
MAX TEMPERATURE - AMBIENT ° F (° C)	140 (60)

O-RINGS	QTY
AS568A-011	1
AS568A-025	2
AS568A-210	1

TOLERANCES UNLESS OTHERWISE SPECIFIED

**DYTEC**

102 COMPASS PT. DR. STE. D.  
 ST. CHARLES, MO. 63301-4414  
 (636) 949-5600

TPV-2C8P-TFE-E-RO VALVE PHYSICAL DIMENSIONS

APPROVAL		DWN	MPJ	DATE	SCALE	CHRD
ENGR	DATE	BY			1=1	BY
				03/27/02		
ALL DIMENSIONS ARE IN INCHES				44	0002362	30 00
PAIN = ENX,CC,DTTEC,VPV-2C8P-TFE-E-ROF,LDORW				1 OF 1		